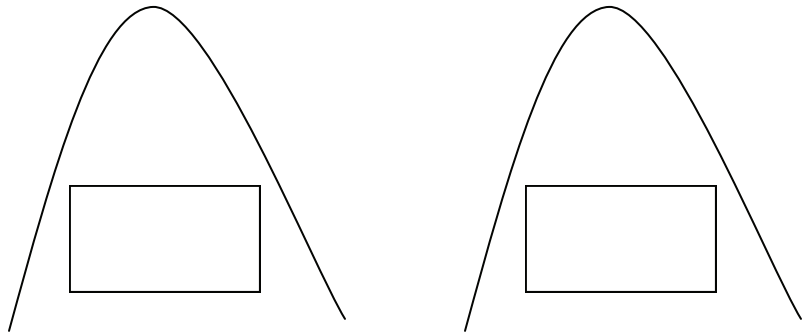
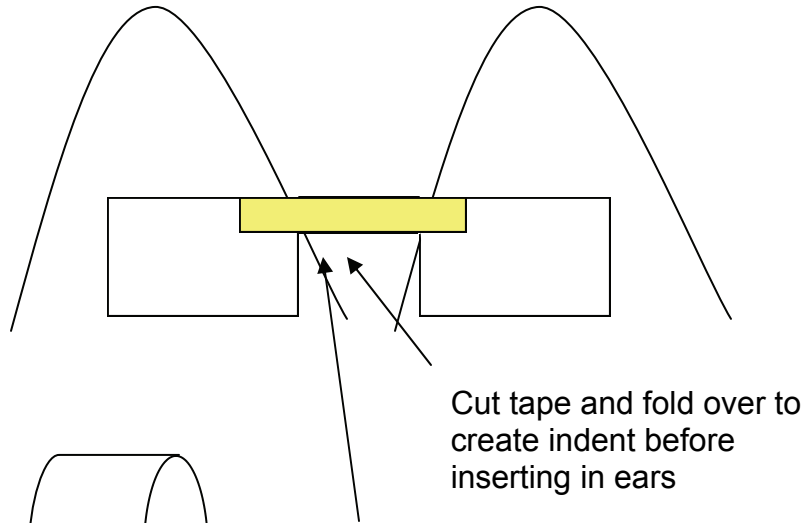


Step 1.
Wash ears with 91%
rubbing alcohol allow to
dry 15 to 30 minutes

Step 2.
Insert a base piece of tape
in the bell of each ear

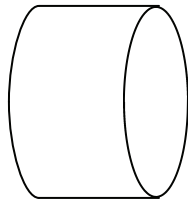


Step 3.
Insert a cross brace on top
of the base pieces
(if needed)



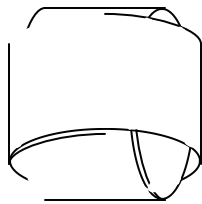
Cut tape and fold over to
create indent before
inserting in ears

Step 5.
Make first tape loop



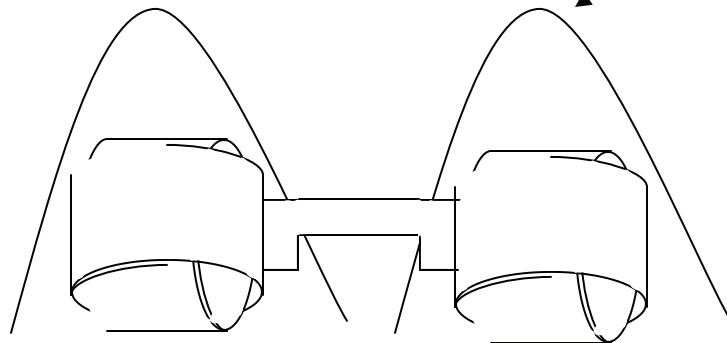
Before inserting brace in ears,
add a piece to the folded tape to
strengthen against tearing
(Example in yellow)

Step 6.
Make second tape loop
around first tape loop



Fold ear over

Step 7.
Insert combined loops



Step 8.
Fold the tip of the ear over
and stick to the loops
Check for stuck hairs